

# Heavyduty Type

## Pneumatic Shear Knifeholder

# MT-A650

**MT-A650** has included the same unique patent design, three cylinder robust knife-holder, individual down stroke and side stroke valves, self-flow control and accuracy micro depth adjustment as with the MT-A610 to provide easy operation and stability down force pressure when online slitting. With modular integrated bottom knife-holder, the MT-A650 handle cant angle adjustment to adapt different web path direction application, side contact limit to extend blade lifetime and offer outstanding performance.

MT-A650 Knife-holder is ideally suited for paper, plastic film, non-woven fibers and others converting industry.

### » Feature

- Min slitting width 53mm
- Self flow control
- Micro depth adjustment
- Individual control valve
- Cant angle adjustment
- Integrated bottom knifeholder
- Patent structure

### » Specification

- Min. slitting width : 53mm
- Max. slitting speed : 1000M/min (1)
- Down stroke range : 0~25mm
- Side contact range : 0~3mm
- Top blade dia. :  $\phi$ 150mm
- Guide-bar : GB01/GB02/GB04

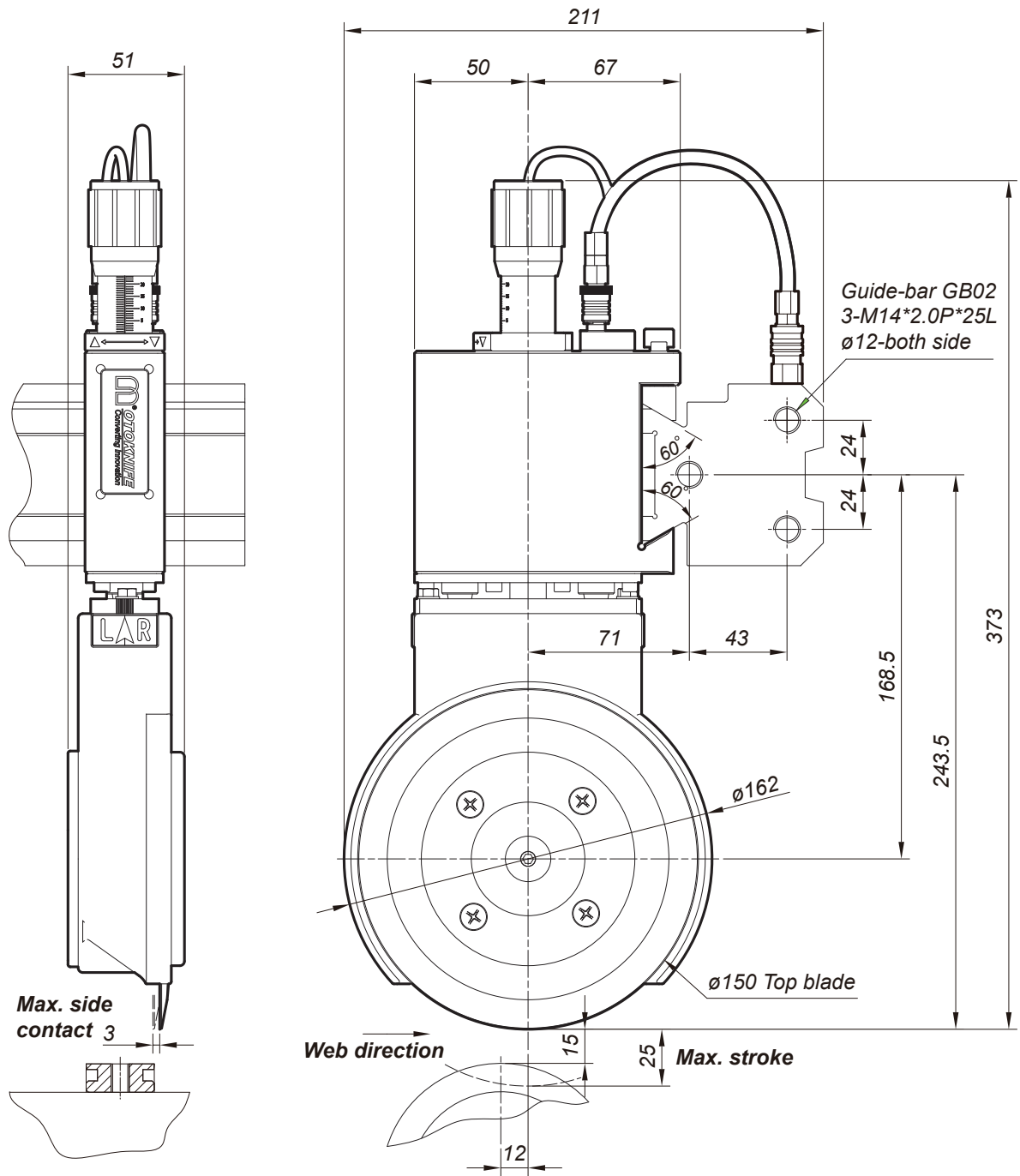
(1) Max slitting speed depends on different material and the condition will be changed.



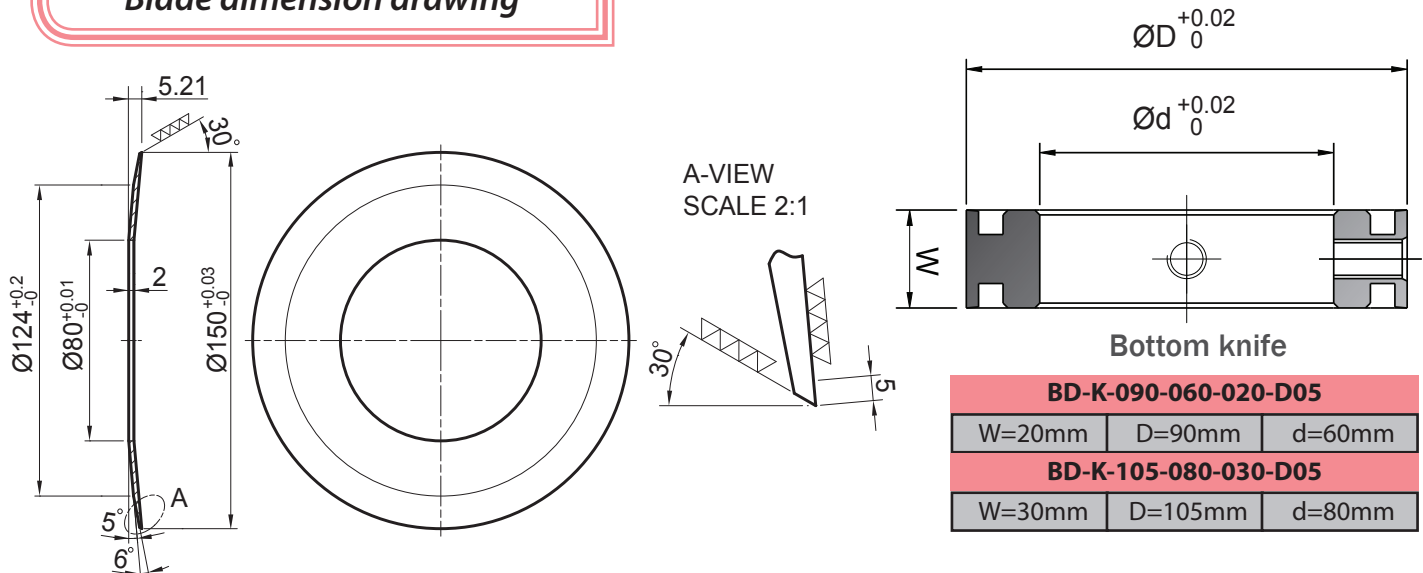
MT-A650

MOTOKNIFE

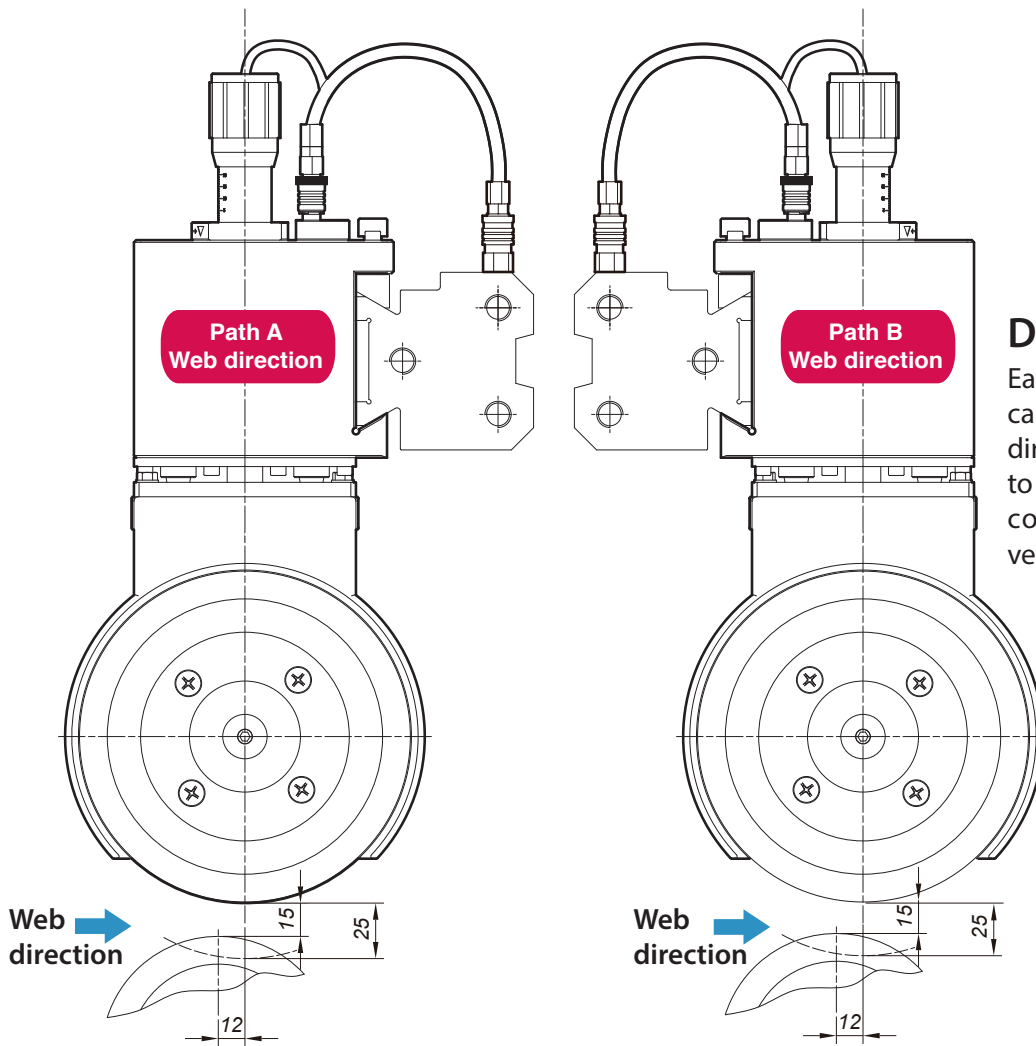
# MT-A650 Dimension drawing



# Blade dimension drawing



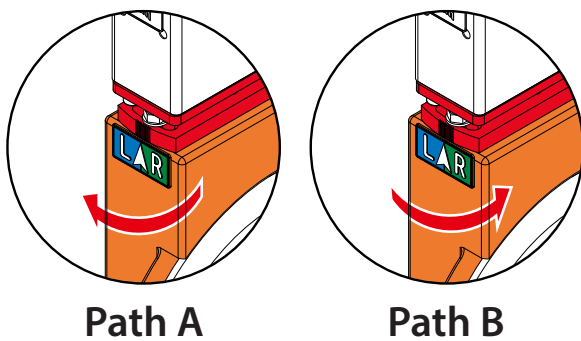
## Different web path arrange



## Different Web Path

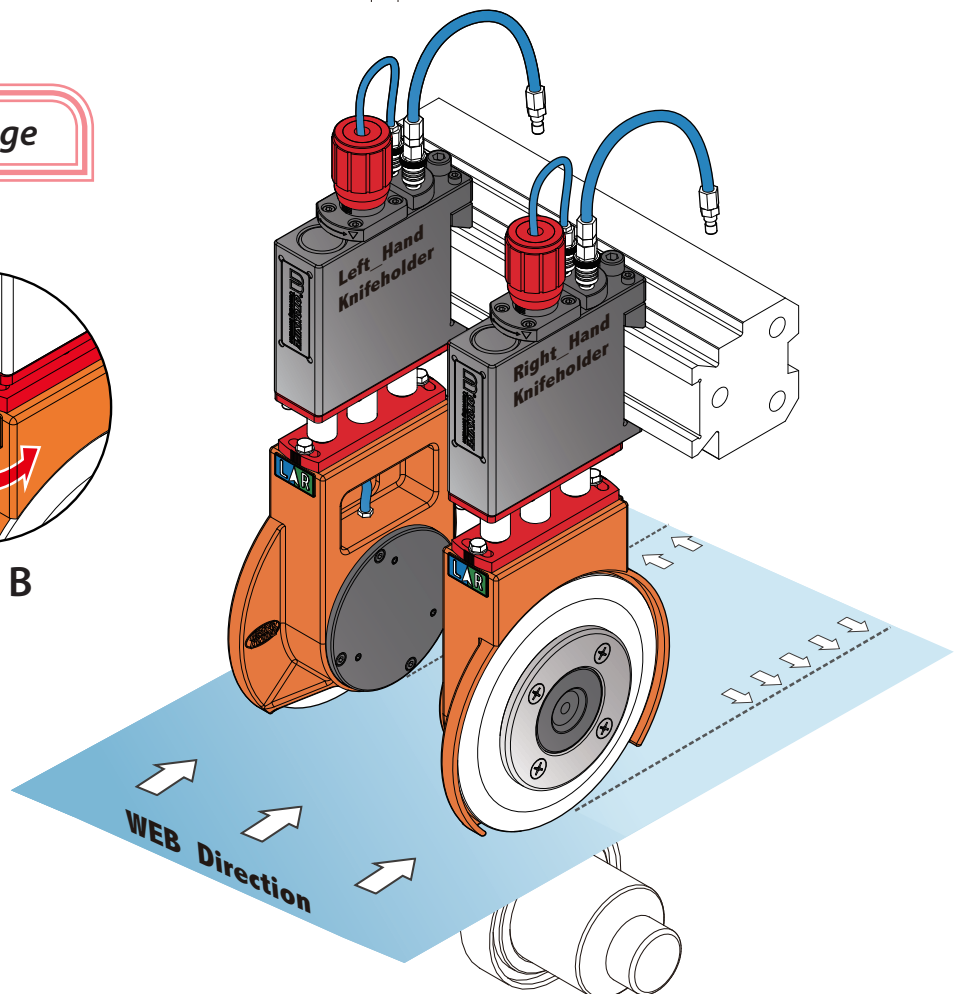
Easily changeable cant angle can is for different web path direction application, in order to obtain better slitting effect corrcet cant angle setup is very important!!

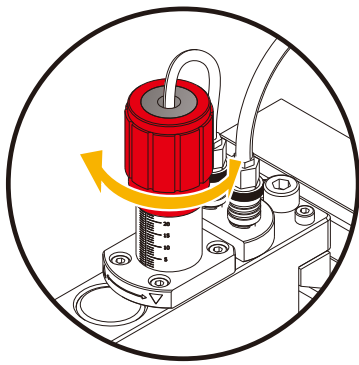
## Knife-holder direction arrange



## Cant angle adjust

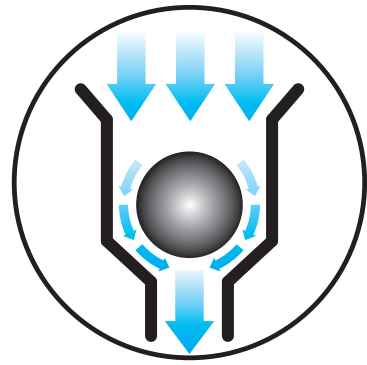
For different web path application now is more easily to adjust. Unscrew angle plate and rotate bottom knifeholder for different web path direction and to get better efficiency result.





## Depth adjust

Using depth adjust screw can easily control down stroke overlap distance between top and bottom blade, it is helpful for overlap compensation when blade wear.

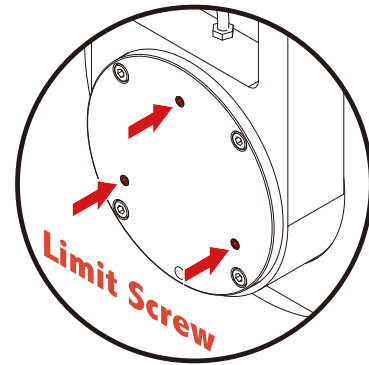
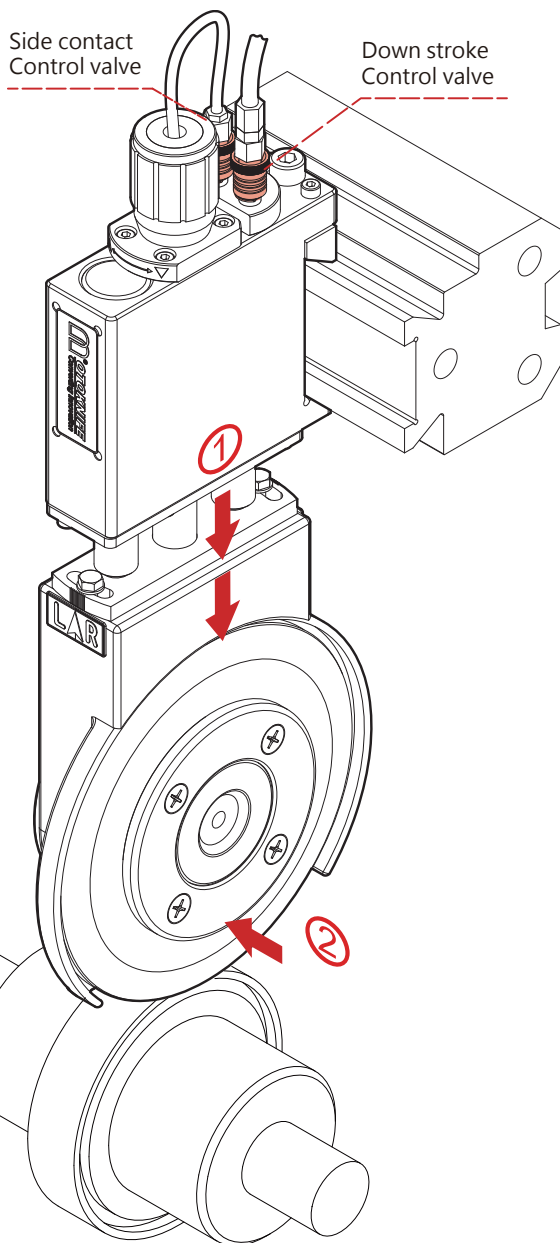


## Internal air flow control

Patent design with internal air flow control, you can directly connect air source without air throttle valve and never worry too much air flow to damage blade!!

## Individual valve control

More convenient for down stroke and side contact individual valve control, it can be operation under automatic action or separate when arrange position.



## Side contact limit

Behind the bottom knife-holder have three screws can be adjust side contact stroke, proper side stroke setting will extend blade life time and getting better slitting edge.

## Slitting Products Available:

Various Papers	kraft paper, silicone paper, releasing paper, decoration wall paper, masking paper, adhesive paper, thick paper board, corrugated carton paper, sand paper.
Various Plastic films	flexible laminated films, soft & rigid PVC films, BOPP, PET, PE, PS, LDPE, PLA, SBS, various adhesive tape...etc.
Cloth & fabrics	non-woven cloth, synthetic leather, natural cotton, mesh cloth, medical cloth, label cloth...etc.
Metal films	copper foil, aluminum foil.

MT-A650

MOTOKNIFE



MOTO, TAIWAN  
32652 No.65 Lane 155, Xinjiang Rd.,  
Yangmei District, Taoyuan City, Taiwan  
TEL: +886-3-4753005  
FAX: +886-3-4754797  
E-mail: service@motoknife.com  
http://www.motoknife.com

MOTO, CHINA  
No.8 Zhang Jia Road, Huang Du Town,  
JiaDing Area, Shanghai, China  
TEL: +86-21-69596169  
FAX: +86-21-69596163  
E-mail: motokevin@126.com

